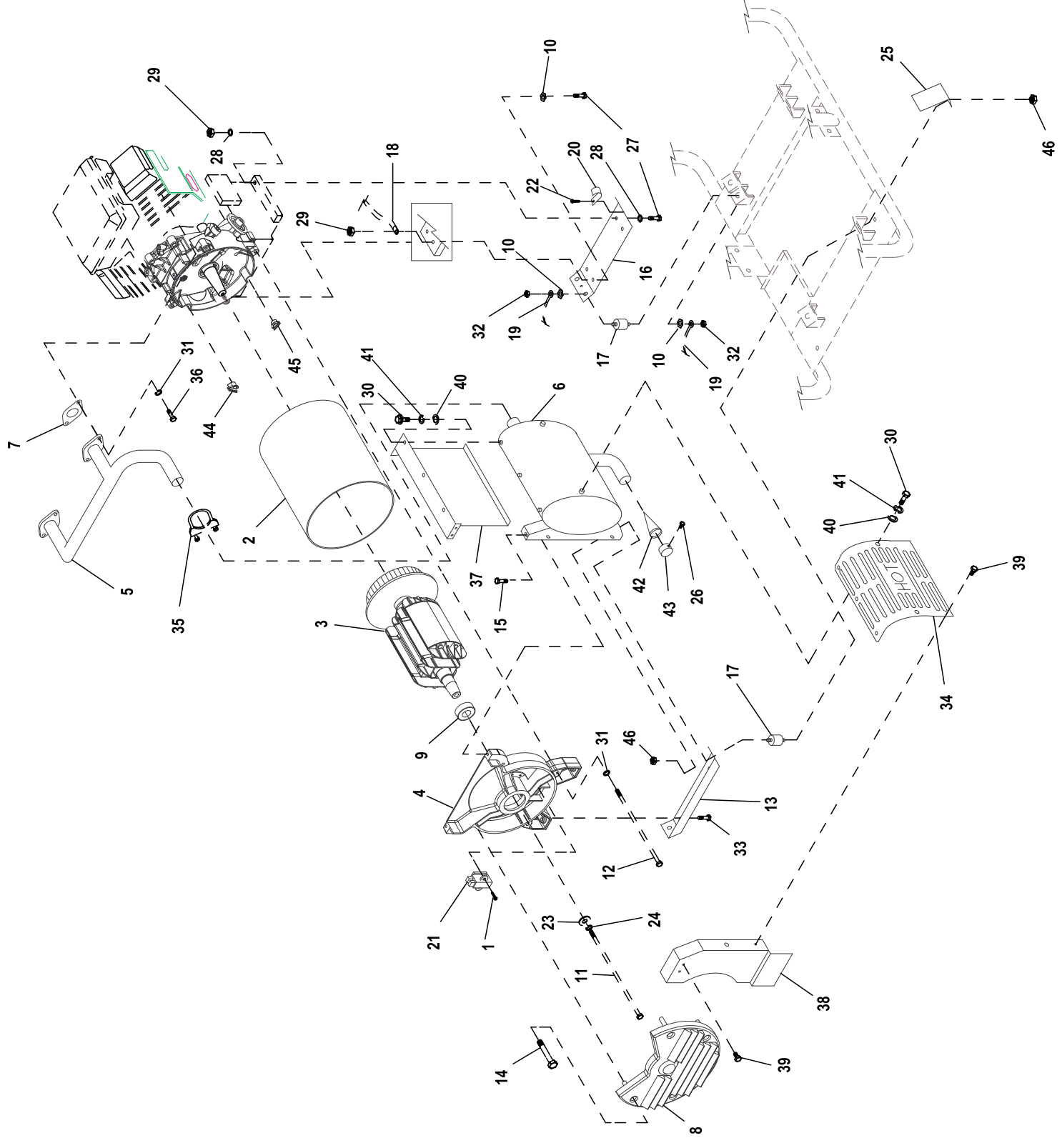


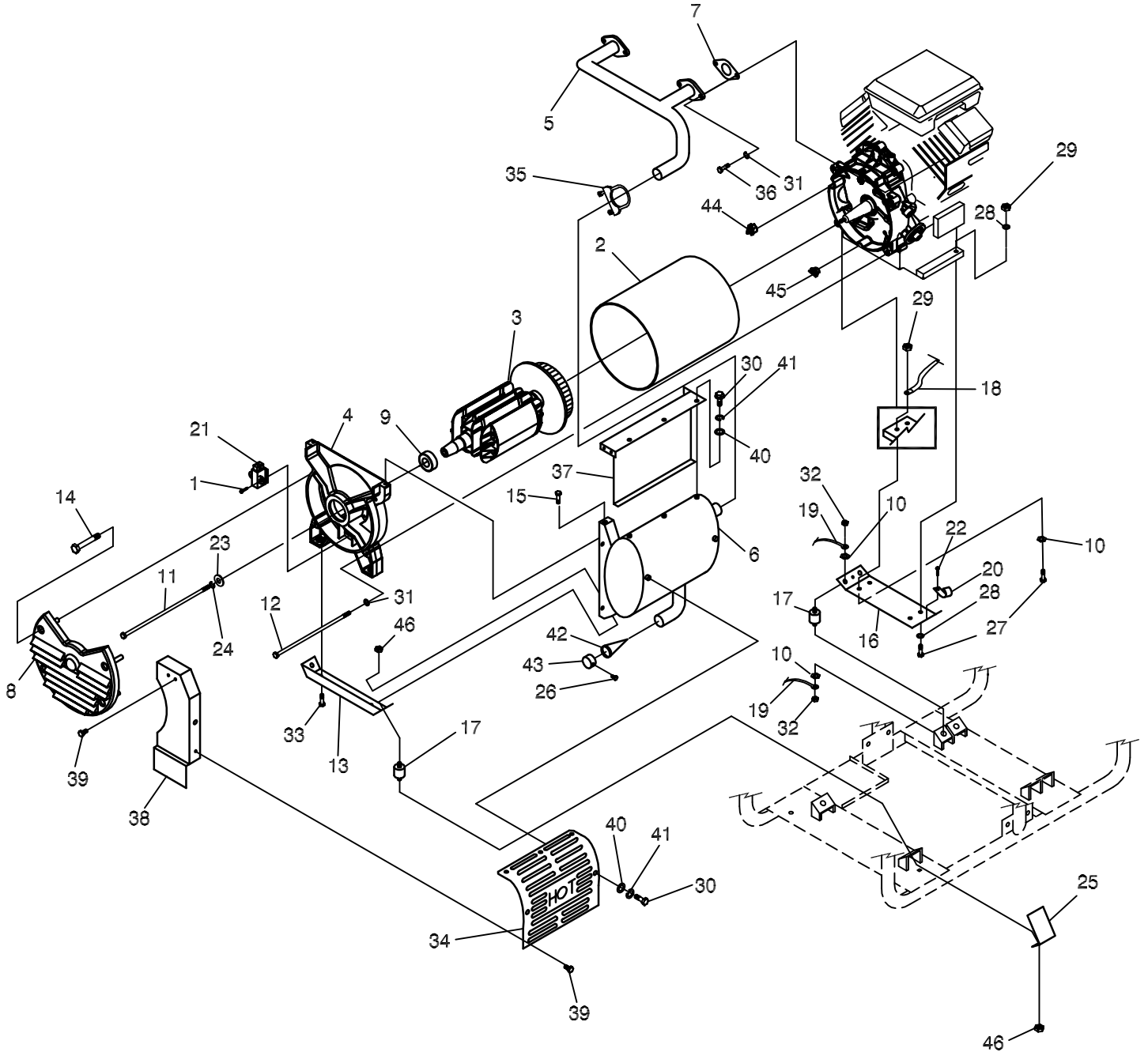
GROUP EV



EXPLODED VIEW: EV GENERATOR 990 GP PORTABLE**DRAWING #: 0H0766****GROUP EV**

ITEM	PART#	QTY.	DESCRIPTION
1	066849	2	SCREW HHTT M5-0.8 X 16
2	0G2921C	1	STATOR 15KW
	0G2923C		STATOR 17.5KW
3	0G2922CSR	1	ASSEMBLY, ROTOR WITH FAN 15KW
	0G2924CSR		ASSEMBLY, ROTOR WITH FAN 17.5KW
4	0C6043B	1	CARRIER, REAR BEARING
5	0D2492	1	EXHAUST MANIFOLD
6	0D2726	1	MUFFLER
7	0C4138	2	GASKET, EXHAUST
8	0D3547	1	COVER, ALTERNATOR AIR IN
9	031971	1	BEARING
10	0C3168	3	5/16 SPECIAL LOCK WASHER
11	0D1838	1	SCREW IHHC 3/8-24 X 15.50 G5
12	0D3549	4	SCREW IHHC M8-1.25 X 400 G8.8
13	0C7038E	1	BRACKET, ALT MOUNTING
14	032712	4	SCREW HHTT #10-32 X 1.75
15	0D4662	1	SCREW HHTT M8-1.2 X 20
16	0C7038D	1	ENGINE MOUNTING PLATE
17	0C7758	6	RUBBER MOUNT
18	0388050AF0	1	BATTERY CABLE, BLACK
19	0C2417A	1	EARTH STRAP 3/8X 3/8
20	082121C	1	CLIP-J VINYL COAT .625 ID
21	066386	1	ASSEMBLY, BRUSH HOLDER
22	0C2824	1	SCREW TAP-R #10-32 X 9/16
23	0G2551	1	WASHER FLAT 3/8 G8.8
24	022237	1	WASHER LOCK 3/8
25	0D6214	1	SHIELD, RUBBER MOUNT
26	045764	1	SCREW HHTT M4-0.7 X 8
27	051731	4	SCREW HHC M8-1.25 X 50 G8.8
28	022145	5	WASHER FLAT 5/16 ZINC
29	049820	4	NUT LOCK HEX M8-1.25 NYLON INSERT
30	043116	7	SCREW HHC M6-1.0 X 12
31	022129	7	WASHER LOCK M8-5/16
32	022259	2	NUT HEX 5/16-18 STEEL
33	059637	2	SCREW TAPTITE 3/8-16 X 3/4 BP
34	0D5100	1	SHIELD, MUFFLER HEAT
35	0D5823	1	U-BOLT & SADDLE
36	0C8565	4	SCREW SHC M8-1.25 X 18
37	0D5833	1	PANEL, MUFFLER BOX BACK
38	0D5834	1	PANEL, MUFFLER BOX END
39	090388	3	SCREW HHTT M6-1.0 X 12
40	022473	5	WASHER FLAT M6-1/4
41	022097	5	WASHER LOCK M6-1/4
42	0D5133	1	SPARK ARRESTOR SCREEN
43	0D5133A	1	RETAINER, SPARK ARREST SCREEN
44	0G2387	1	PLUG, GEARCOVER ADAPTOR
45	0K4360	1	PLUG, GEAR COVER, SMALL
46	0H6559	10	NUT HEX FLANGE WHIZ 5/16-18

GROUP



EXPLODED VIEW: GENERATOR PARTS

DRAWING #: 0H0766

APPLICABLE TO: 005734,005735

GROUP

ITEM	PART #	QTY.	DESCRIPTION
1	066849	2	SCREW HHTT M5-0.8 X 16
2	0G2921C	1	STATOR 15KW
	0G2923C		STATOR 17.5KW
3	0G2922CSR 0G2924CSR	1	ASSEMBLY, ROTOR WITH FAN 15KW ASSEMBLY, ROTOR WITH FAN 17.5KW
4	0C6043B	1	CARRIER, REAR BEARING
5	0D2492	1	EXHAUST MANIFOLD
6	0D2726	1	MUFFLER
7	0C4138	2	GASKET, EXHAUST
8	0D3547	1	COVER, ALTERNATOR AIR IN
9	031971	1	BEARING
10	0C3168	3	5/16 SPECIAL LOCK WASHER
11	0D1838	1	SCREW IHHC 3/8-24 X 15.50 G5
12	0D3549	4	SCREW IHHC M8-1.25 X 400 G8.8
13	0C7038E	1	BRACKET, ALT MOUNTING
14	032712	4	SCREW HHTT #10-32 X 1.75
15	0D4662	1	SCREW HHTT M8-1.2 X 20
16	0C7038D	1	ENGINE MOUNTING PLATE
17	0C7758	6	RUBBER MOUNT
18	0388050AF0	1	BATTERY CABLE, BLACK
19	0C2417A	1	EARTH STRAP 3/8X 3/8
20	082121C	1	CLIP-J VINYL COAT .625 ID
21	066386	1	ASSEMBLY, BRUSH HOLDER
22	0C2824	1	SCREW TAP-R #10-32 X 9/16
23	0G2551	1	WASHER FLAT 3/8 G8.8
24	022237	1	WASHER LOCK 3/8
25	0D6214	1	SHIELD, RUBBER MOUNT
26	045764	1	SCREW HHTT M4-0.7 X 8
27	051731	4	SCREW HHC M8-1.25 X 50 G8.8
28	022145	5	WASHER FLAT 5/16 ZINC
29	049820	4	NUT LOCK HEX M8-1.25 NYLON INSERT
30	043116	7	SCREW HHC M6-1.0 X 12
31	022129	7	WASHER LOCK M8-5/16
32	022259	2	NUT HEX 5/16-18 STEEL
33	059637	2	SCREW TAPTITE 3/8-16 X 3/4 BP
34	0D5100	1	SHIELD, MUFFLER HEAT
35	0D5823	1	U-BOLT & SADDLE
36	0C8565	4	SCREW SHC M8-1.25 X 18
37	0D5833	1	PANEL, MUFFLER BOX BACK
38	0D5834	1	PANEL, MUFFLER BOX END
39	090388	3	SCREW HHTT M6-1.0 X 12
40	022473	5	WASHER FLAT M6-1/4
41	022097	5	WASHER LOCK M6-1/4
42	0D5133	1	SPARK ARRESTOR SCREEN
43	0D5133A	1	RETAINER, SPARK ARREST SCREEN
44	0G2387	1	PLUG, GEARCOVER ADAPTOR
45	0G4750	1	PLUG, GEAR COVER ADAPTOR-SMALL
46	0H6559	10	NUT HEX FLANGE WHIZ 5/16-18